

— INSTRUCTIONS —
**TYPE 1F57-312 LOW VOLTAGE
 MULTI-STAGE THERMOSTAT**
 (2 Stage Heat, 2 Stage Cool)
 (Fan Relay cycles on both heating & cooling)

These multi-stage heating-cooling thermostats provide low voltage control of up to two stages of heating and two stages of cooling. Switches on the Sub-Base provide convenient selection of heating, cooling, and blower operation on cooling air conditioning systems using electric heat where thermostat

cycles the fan relay on both heating and cooling.

First stage Heat is equipped with an adjustable heat anticipator while 2nd stage is non-anticipated. First stage Cooling is equipped with cooling anticipation while the 2nd stage is not.

SELECTING THERMOSTAT LOCATION

The proper location of the room thermostat is most important to insure that it will provide a comfortable home temperature. Observe the following general rules when selecting a location:

1. Locate it about 5 ft. above the floor.
2. Install it on a partitioning wall, not on an outside wall.
3. Never expose it to direct light from lamps, sun, fireplaces, etc.
4. Avoid locations close to doors that lead outside, windows, or adjoining outside walls.

5. Avoid locations close to radiators, warm air registers, or in the direct path of heat from them.
6. Make sure there are no pipes or duct work in that part of the wall chosen for the thermostat location.
7. Never locate it in a room that is warmer or cooler than the rest of the home, such as kitchen or hallway.
8. The living or dining room is normally a good location, provided there is no cooking range or refrigerator on opposite side of wall.

INSTALLATION

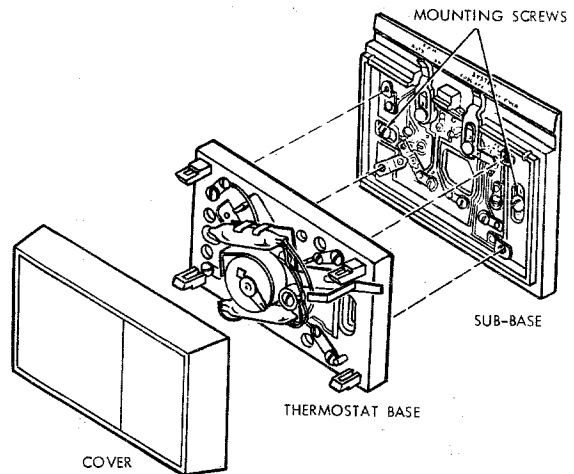
Attaching Sub-Base to Wall

1. Route wires from heating and cooling equipment to thermostat location and pull wires through hole in wall so that 6 in. of cable protrudes.
2. Pull wires through opening near center of sub-base and connect wires beneath proper terminals screws as shown under "wiring".
3. Push excess wire into wall or switch box and plug up hole to prevent drafts from affecting thermostat operation.
4. Fasten sub-base loosely to wall in position shown in Fig. 1 using two mounting screws provided. Level sub-base by placing spirit level on top of sub-base. Tighten mounting screws to secure sub-base in level position.

Mounting Thermostat to Sub-Base

Step 1. Remove cover from thermostat by pulling it straight outward.

Step 2. Attach thermostat base to sub-base, being sure that all six screws are tightened snugly since they serve as



electrical connections between thermostat and sub-base.

NOTE: Do not assembly cover to thermostat base until heat anticipator has been set as described below.

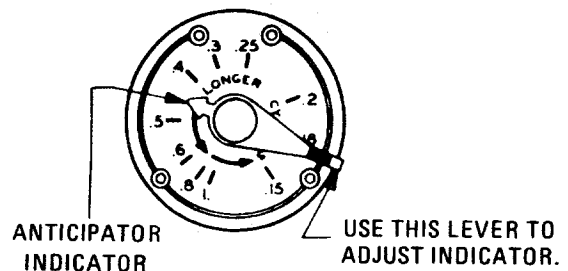
HEATING ANTICIPATION

This thermostat is equipped with an adjustable heat anticipator on 1st stage of heating. The anitcipator may be adjusted for current ratings from .15 to 1.0 Amp.

1. Check setting of adjustable heat anticipator and readjust if necessary to comply with setting specified on installation instructions included with heating equipment being installed.
2. Snap on thermostat cover and set thermostat to desired setting.

Additional adjustments, if necessary, may be made as follows:

Heater cycles too long — Set adjustable heater to a slightly lower dial setting (1/2 division).



Heater cycles too short — Set adjustable heater to a slightly higher dial setting (1/2 division).

COOLING ANTICIPATION

The cooling anticipator for the 1st stage of cooling is a fixed non-removable heater. It is for use on current draws from 0 to 1.5 Amp.

OPERATION

The chart at right shows the different system functions with the System and Fan Selector switches in various positions.

Shows Position of Switches					OPERATION
FAN		SYSTEM			
AUTO	ON	COOL	OFF	HEAT	
<input checked="" type="checkbox"/>	<input type="checkbox"/>	<input type="checkbox"/>	<input checked="" type="checkbox"/>	<input type="checkbox"/>	No heating, no cooling, no fan.
<input type="checkbox"/>	<input checked="" type="checkbox"/>	<input type="checkbox"/>	<input checked="" type="checkbox"/>	<input type="checkbox"/>	No heating, no cooling, but fan runs continuously.
<input type="checkbox"/>	<input checked="" type="checkbox"/>	<input checked="" type="checkbox"/>	<input type="checkbox"/>	<input type="checkbox"/>	Cooling system cycles from thermostat. Fan runs continuously.
<input checked="" type="checkbox"/>	<input type="checkbox"/>	<input checked="" type="checkbox"/>	<input type="checkbox"/>	<input type="checkbox"/>	Cooling system and fan cycle from thermostat.
<input checked="" type="checkbox"/>	<input type="checkbox"/>	<input type="checkbox"/>	<input type="checkbox"/>	<input checked="" type="checkbox"/>	Heating system and fan cycle from thermostat.
<input type="checkbox"/>	<input checked="" type="checkbox"/>	<input type="checkbox"/>	<input type="checkbox"/>	<input checked="" type="checkbox"/>	Heating system turns on and off from thermostat. Fan runs continuously.

WIRING

All wiring should be done according to local and National electrical codes and ordinances.

